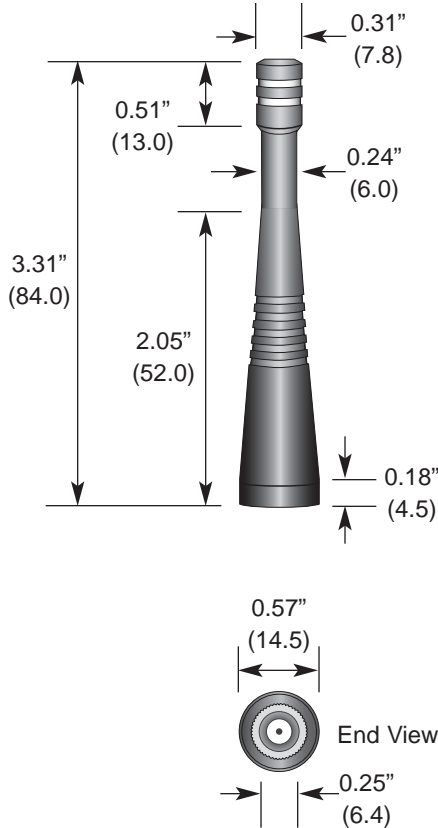


### Product Dimensions



### Description



CW Series 1/4-wave antennas deliver outstanding performance in a rugged and cosmetically attractive package. These antennas feature an FCC Part 15 compliant RP-SMA connector. This simplifies packaging and shipment, allowing for easy field replacement while complying with FCC requirements. A wide variety of matching connectors allows for numerous mounting options.

### Features

- Low cost
  - Excellent performance
  - Omni-directional pattern
  - Wide bandwidth
  - Very low VSWR
  - Fully weatherized
  - Flexible main shaft
  - Rugged & damage-resistant
  - Part 15 compliant RP-SMA connector
  - Use with plastic\* or metal enclosures
- \* Requires proximity ground plane

### Electrical Specifications

- Center Freq. 868MHz
- Bandwidth 100MHz
- Wavelength 1/4-wave
- VSWR <1.9 typ. at center
- Impedance 50 ohms
- Connector RP-SMA

Electrical specifications and plots measured on 4.00" x 4.00" reference ground plane

### Ordering Information

- ANT-868-CW-QW

### VSWR Graph

